

# USING INNOVATIVE TECHNOLOGY FOR SECURITY & SAFETY MEASURES



Quality Innovation  
**Consultancy**  
Integrity  
Customer Satisfaction  
Commitment

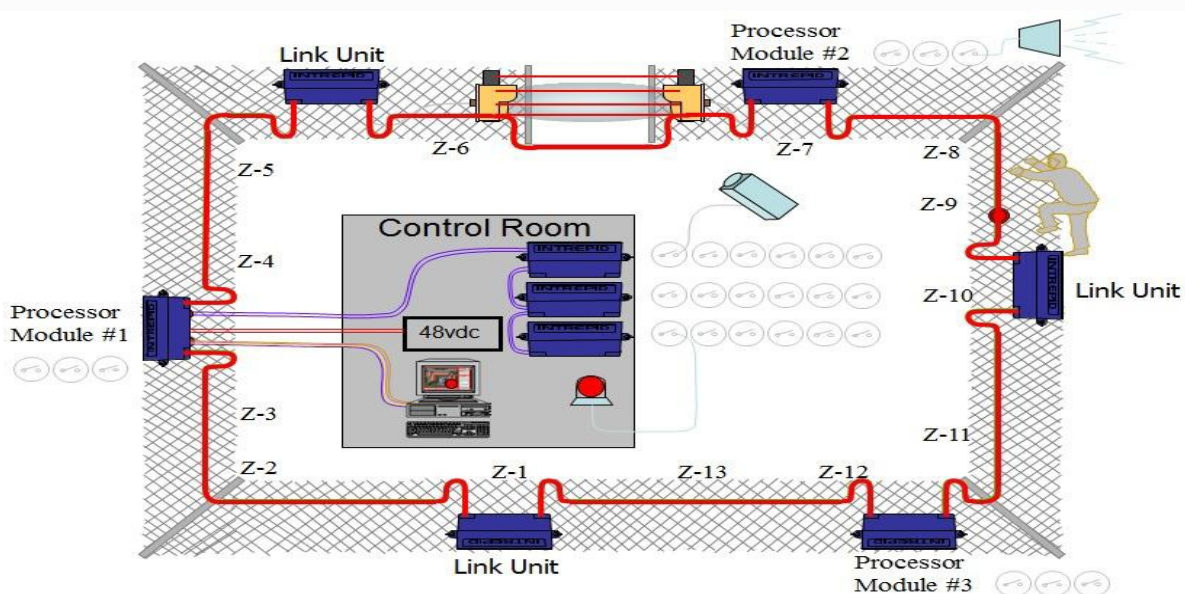
- ✓ A trusted name in industry
- ✓ Extensive experience in providing end-to-end solutions for organizations of all sizes.
- ✓ Customer's testimonial available upon request

Only the **RIGHT** people can provide the **RIGHT PROTECTION**

To provide total security solutions that protects the customer bearing in mind their highest satisfaction. From system design and engineering, to product specification and installation, all the way through testing and training of client's personnel, we oversee all stages of the commercial security system development that will enhance the safety and security of the environment while being cost effective.

Our goal is to provide a complete security solution for our clients & to establish a long-term relationship in providing the highest standards of Life & Asset Protection.

We provide consultancy on a wide scope of security applications. This process involves conducting a feasibility of the current security measures being followed and then assessing against the risk and threat factors. Added to this an in-depth assessment of the current structural weaknesses, physical security requirements, administrative controls, electronic systems, efficiency and effectiveness level, will be carried out.



## Range of Services

- Security Consultancy & Security Management Program
- System Design and Implementation
- Security Audits and Surveys
- Technical & Product Management
- Assessments Audits to determine adherence to International Standards and best practise
- Preparation of Standard Operating Procedures
- Security Process Implementation

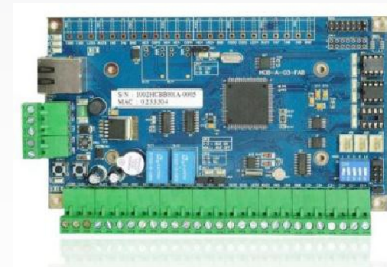
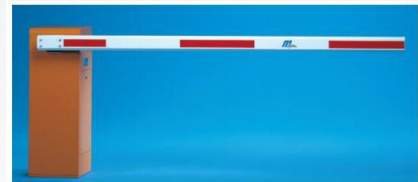
Areas of Specialization of Security Services include consultation, planning and implementation of:



1) Electronic Security Systems implementation including Design and Build using electronic components.

Systems of Specialization include:

- Intruder Alarm Systems
- CCTV & Digital Video Recorder (DVR) Systems
- Access Control Systems c/w ID Cards
- Intercom Systems
- Automatic Gate Systems
- Guard Tour Systems
- Barrier Gate Systems
- Perimeter Protection
- Visitor Management Systems
- Key Management Systems
- Personal GPS Tracking
- Central Monitoring Station (CMS)



2) Physical security services.

3) Elite services including body guarding, armed services etc.

4) Armed escort services, exhibitions and event security.

5) Logistics security including high value cargo protection and vehicle monitoring systems.

6) Warehousing achieving TAPA accreditation.

7) Broadband system applications for development that includes:

- Audio,
- Video, Intercom,
- Voice Over Internet (VOIP)
- Internet,
- Smart Home Integration Systems and other security measures associated.



**iKONXEPT SDN BHD** 789087-H

Office 8, 1st Floor Resource Centre, Technology Park Malaysia  
Lebuhraya Puchong - Sg.Besi, 57000 Bukit Jalil, Kuala Lumpur

Tel **+6 03 8070 4053**  
Fax **+6 03 8070 4166**

enquiry@gpon.ikoncept.com  
[www.ikoncept.com](http://www.ikoncept.com)

